

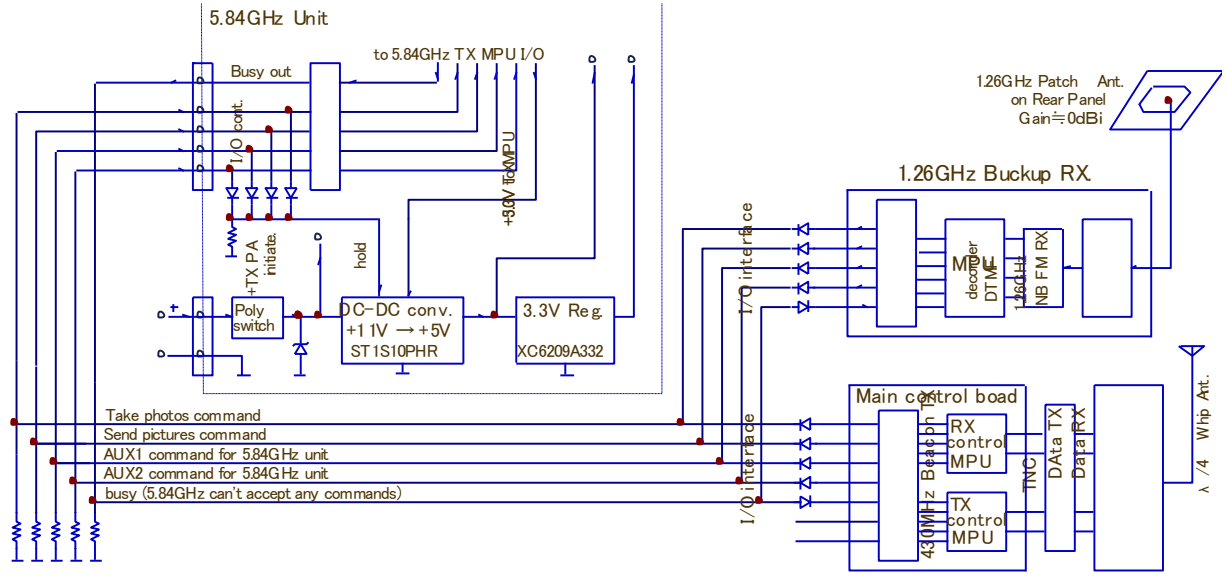
FITSAT-1 5.84GHz TX unit Block Diagram

25th Nov. 2012

Takakazu Tanaka@Logical Product corp.

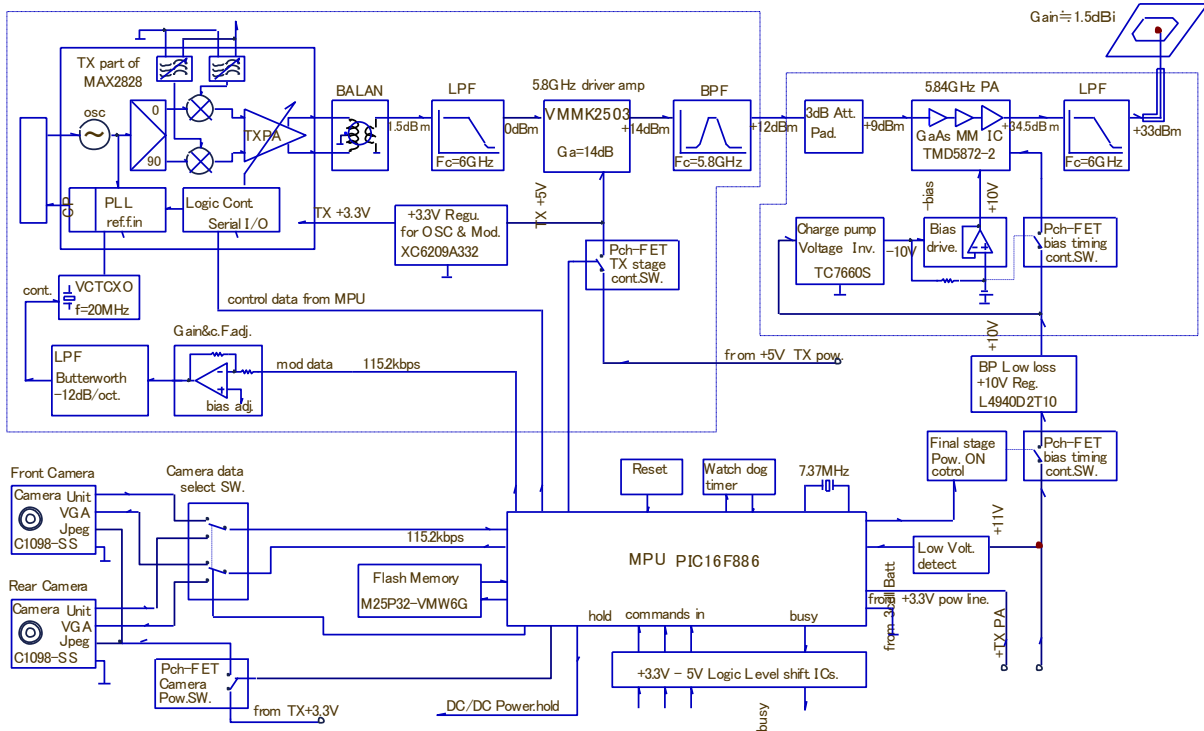
1. Power and I/O part

☆FITSAT-1 5.84GHz TX DC Power & Command line Block Diagram



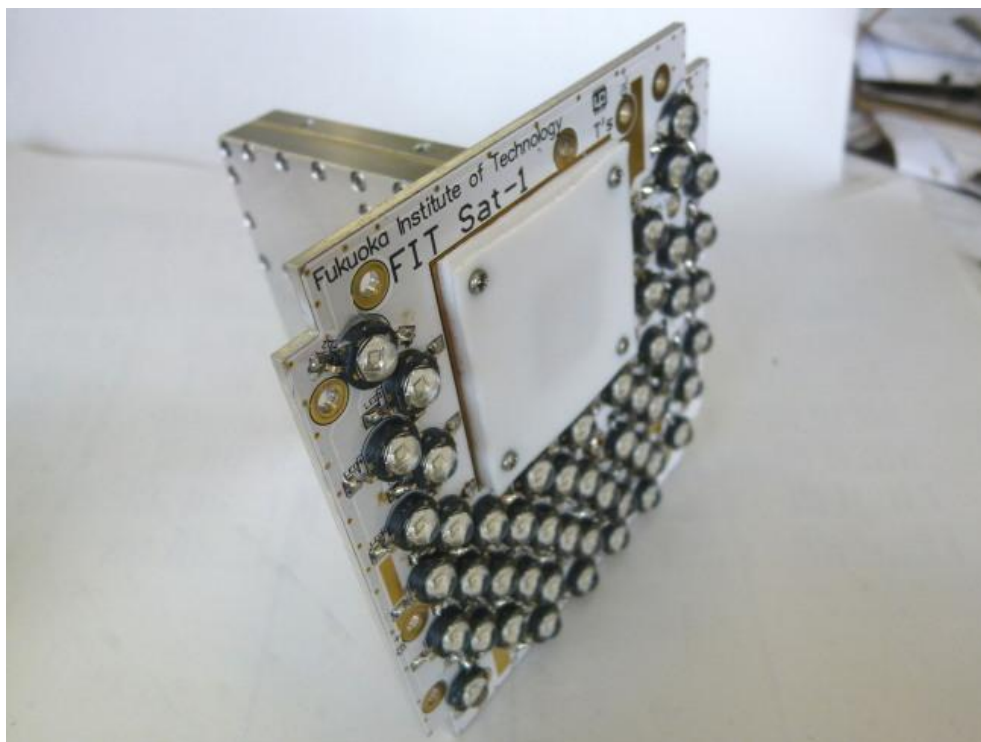
2. TX (Mod, OSC, PA) & Camera control part

☆FITSAT-1 5.84GHz TX Block Diagram (TX, Mod & cont)

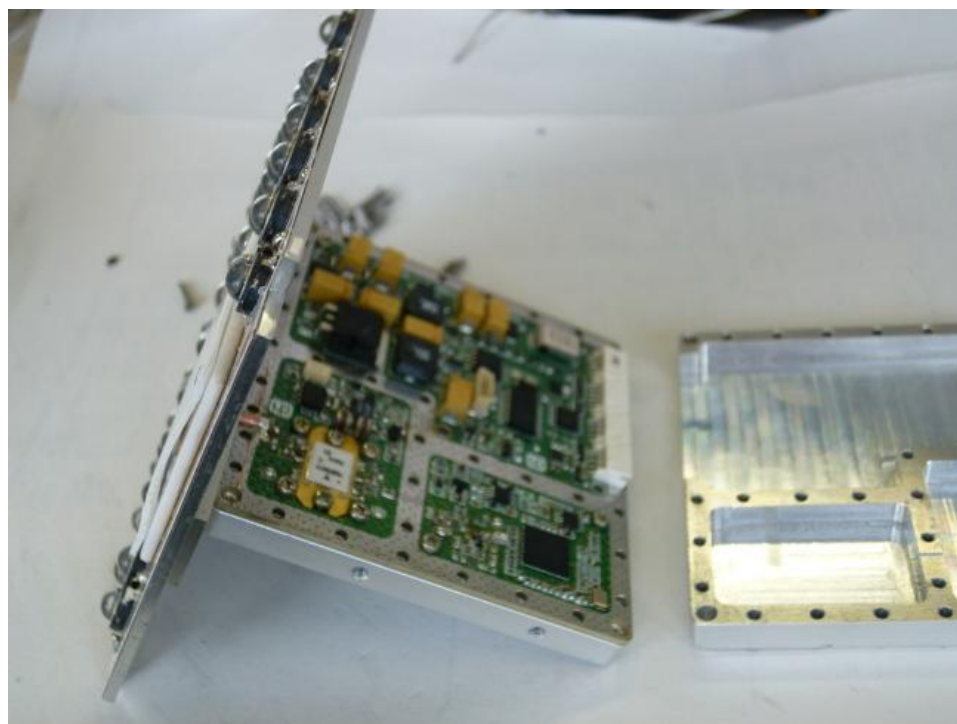


3. Picture of 5.84GHz TX unit.

Unit with antenna



Open the lid of the unit



Inside view of 5.8GHz TX



The unit incorporated in the satellite.

